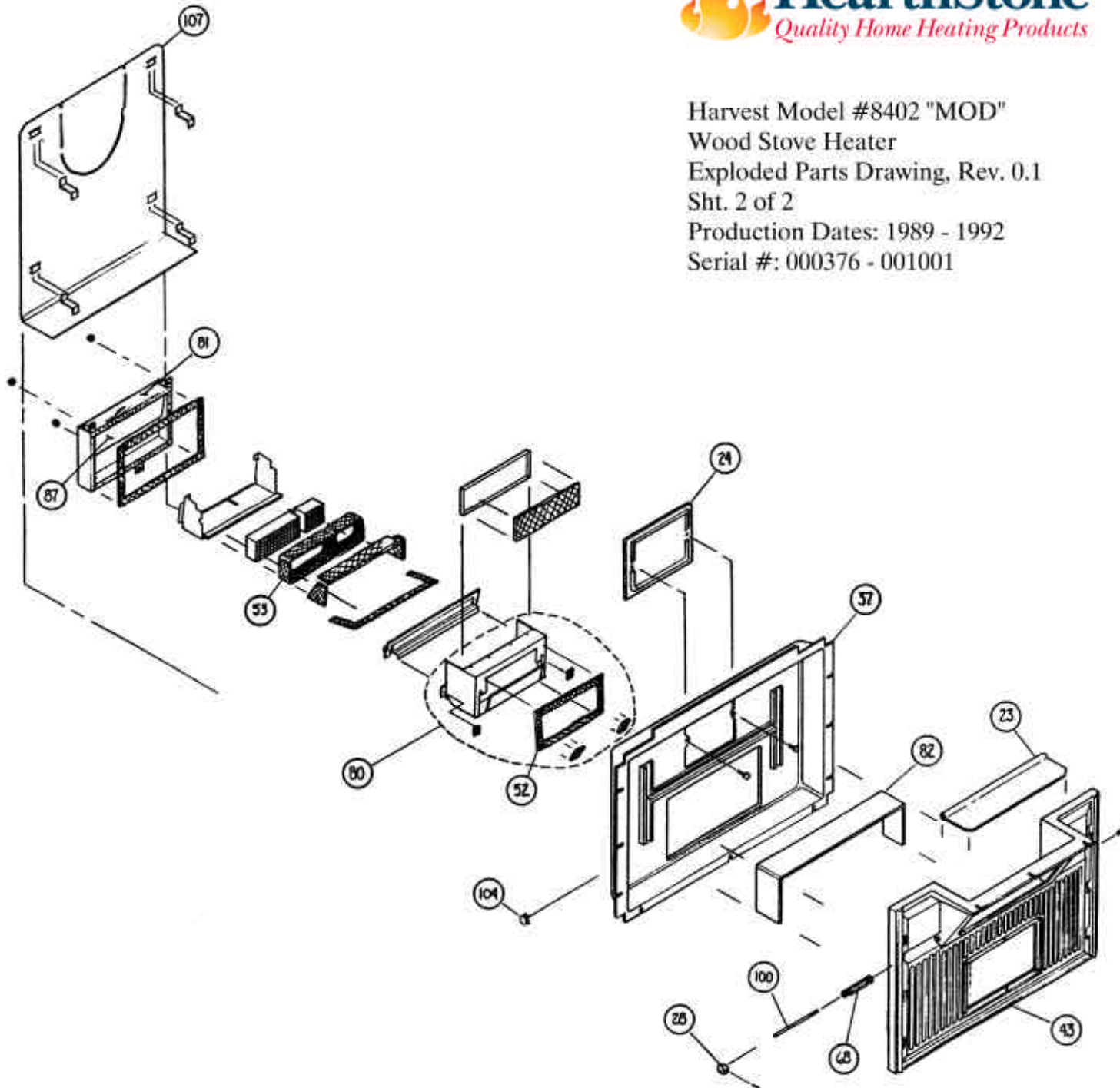


Harvest Model #8402 "MOD"
Wood Stove Heater
Exploded Parts Drawing, Rev. 0.1
Sht. 2 of 2
Production Dates: 1989 - 1992
Serial #: 000376 - 001001





Model: Harvest "Mod" #8402

Production Dates: 1989 - July 1992

Serial #: 000376-001001

Note: Color must be specified for cast iron parts which are available in enamel.

Key	Part #	Description
3	1421-51	Front Bottom Stone 2 3/4" x 8 1/2"
4	1421-52	Front Top Stone 3 3/4" x 8 1/2"
5	1421-53	Front Corner Stone 9 1/2" x 3 19/32"
6	1421-54	Left Side Top Stones 4" x 6 11/16"
7	1421-55	Left Side Bottom Stones 2 3/4" x 6 11/16"
8	1421-56	Right Side Stones 6 11/16" x 9 1/2"
9	1421-57	Top Center Stone 8 1/32" x 9 1/2"
10	1421-58	Top Stones Left/Right 8 1/32" x 15 5/8"
11	1421-59	Left Side Vertical Stone 12" x 1 1/4"
13	94-58422	Ash Latch Assembly Includes: Ash Pan Handle Ash Pan Latch 3/16" x 1" Spirol Pin Ash Pan Shaft
14	94-58420	Side Door Latch Assembly Includes: Side Door Handle Side Door Latch 3/16" x 1" Spirol Pin
15	2421-211	Firebox Exit Guard
16	94-58421	Front Door Latch Assembly Includes: Front Door Handle 5/16" x 3/8" Screw
17	2421-219RS	Front Door
18	2421-221RE	Front Door Outer Frame
19	2010-510	Side Door
20	2421-230RR	Side Door Interior Frame
21	2421-239	Primary Air Intake Tube
22	2421-242	Primary Air Manifold

23	94-58430	Damper Assembly
24	2421-250	Reverse Flue Cover Plate
25	2421-273	T-Handle
26	2510-303	Bottom Foot
27	2421-316	Glass Retention Frame
31	2421-341	Andiron
33	2421-343	Bottom Casting
34	2421-344RI	Side Door Exterior Frame
35	2421-345	Top Casting
36	2421-347	Front Door Inner Frame
37	2421-348	Chamber Back
38	2421-349	Ash Grate Top
39	2421-350	Ash Grate Base
40	2421-351	Ash Lip
41	2421-352	Ash Grate Handle
42	2010-900	Flue Collar
43	2421-354	Back Panel
44	2010-300	Corner Posts
46	94-58490	Catalytic Tray Assembly Includes: Ceramic Board #3 Ceramic Board #4 12" x 25" x 1/4" Ceramic Blanket Harvest Tray Cap Harvest Combustor Tray
47	N/A	Catalytic Combustor
48	94-58405	Glass Replacement Kit Includes: Front Door Glass Gasket: Tape 3/4"x 5' Adhesive Backed
59	3900-122	1/16" Brass Rod
80	94-58491	Combustor Tray Housing
81	94-58489	Rear Cover Assembly Includes: Rear Cover Support Gasket Bi-metallic Coil Rear Cover (3) Rear Cover Bracket Combustor Anchor Bracket Plenum Valve (9) Rivet 1/8" x 1/8" (7) Rivet 1/8" x 1/4"

		Ceramic Board #10
		Ceramic Board #11
		(2) Ceramic Board #12
		Ceramic Board #13
82	5100-2295	Chamber Baffle
95	5400-2215	Air Wash Control
96	5400-2318	Front Latch Keeper
99	5400-2241	Primary Air Cover
100	94-58423	Damper Handle Assembly (cast)
		Includes:
		Harvest Damper Rod
		3/16" x1" Spirol Pin
103	94-58400	Primary Air Control Assembly
		Includes:
		Harvest Primary Air Control Arm
		Harvest Primary Air Manual Lever
		Harvest Primary Air Plate
		8-32 Nut
		1/4-20 x 1/4" Machine Screw
		8-32 x 3/4" Machine Screw
		Throttle Stop
		3/16" Door Click Bearing
		5mm x 14.5mm Inconel Spring
106	94-58456	Ash Drawer Assembly
		Includes:
		Harvest Ash Pan Latch
		Harvest Ash Pan Door
		Harvest Ash Door Handle
		(1.88') Gasket: Rope 3/8" Adhesive Backed
		(2) 1/4-20 Lock Nut
		3/16" x 1" Spirol Pin
		(2) 1/4-20 x 1" Machine Screw
		5/16-18 x 1/4" Set Screw
		Handle Crank
		Ash Pan Shaft
107	5920-2289	Rear Shield
108	5400-2018	Firebox Exit Guard Cover (Stainless Steel)
	94-58401	Gasket Kit
	94-58402	Rear Cover Gasket Kit
		Includes:
		Ceramic Blanket 12" x 25" x 1/4"
		Gasket Glue