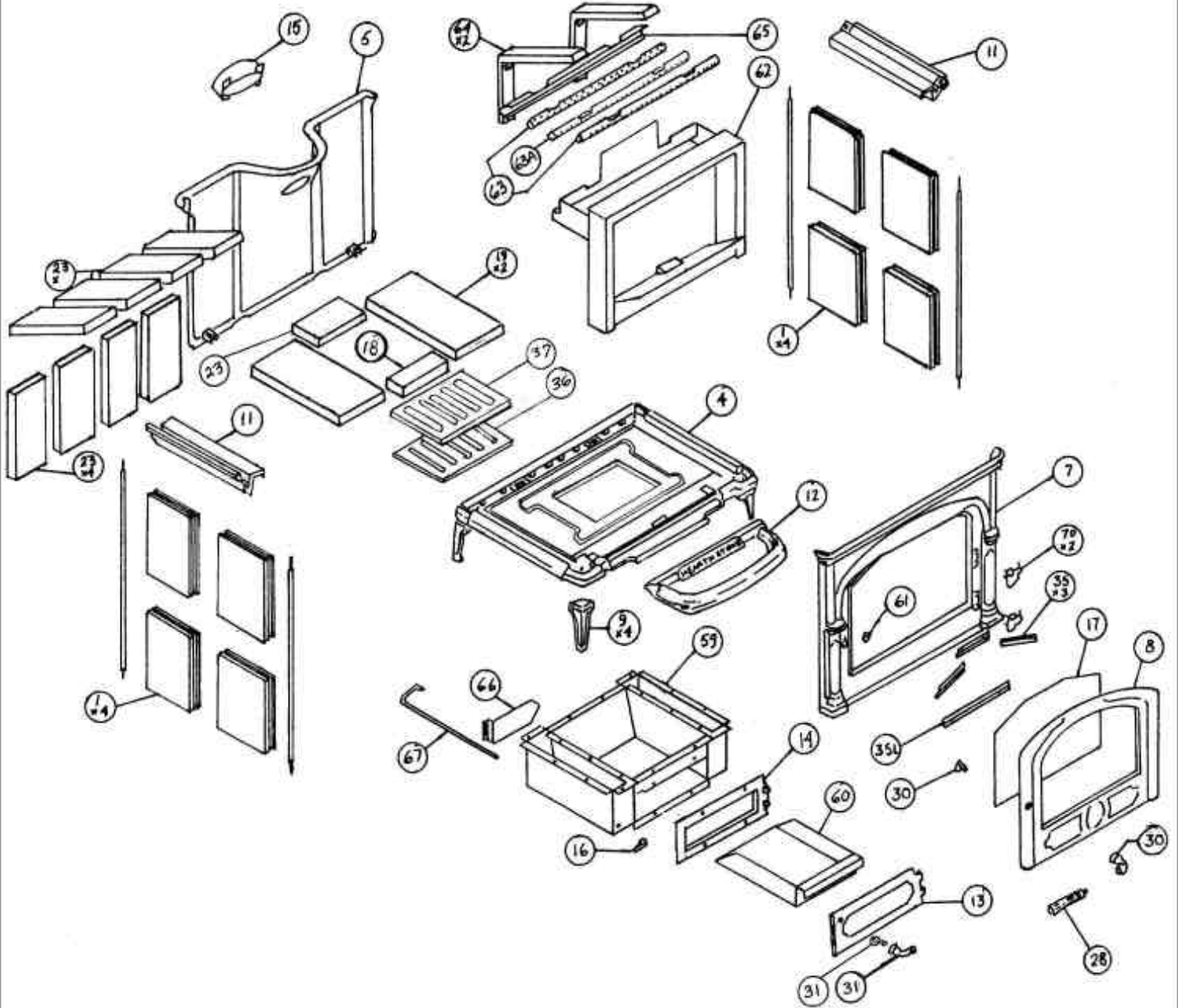
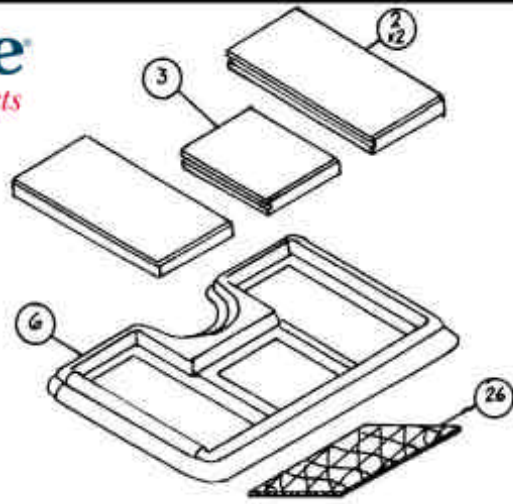




Phoenix I Model #8611  
Wood Stove Heater  
Exploded Parts Drawing, Revision 1.0  
(from Serial #002190)  
Production Dates: June 1995 - Feb. 1999





Model: Phoenix I #8611

Production Dates: June 1995 - February 1999

Serial #: 002190 - 006470

Note: Color must be specified for cast iron parts which are available in enamel.

Key	Part #	Description
1	1641-301	Side Stone 7-3/4" x 9-1/8"
2	1641-302	Top Stone (Ends) 6-17/32" x 16"
3	1641-303	Top Stone (Center) 10-3/4" x 11-1/8"
4	2610-001A	Bottom Casting
5	2610-002	Back Panel
6	2610-003	Top Casting
7	2610-004	Front Panel
8	2610-005	Front Door
9	2610-006A	Foot
11	2610-009	Rib
12	2610-010	Ash Lip
13	2010-060	Ash Pan Door
14	2010-050	Ash Door Frame
15	2610-016	Flue Collar
16	2610-054	Primary Air Control Handle
<b>17</b>	<b>96-58605</b>	<b>Phoenix Glass Kit</b> Includes: Phoenix Glass IR 10 3/8" x 15 3/4" x 5mm (4 1/3") Gasket: Tape 3/4" Adhesive Backed
18	3060-427	Firebrick Bottom 1-15/16" x 9"
19	3060-428	Firebrick Bottom 6-3/8" x 11-3/4"
23	3060-426	Firebrick Bottom 4-1/2" x 9"
26	3120-210	Ceramic Blanket
28	94-58495	Detachable Wooden Handle
<b>30</b>	<b>96-58620</b>	<b>Front Latch Assembly</b> Includes: Set Screw 5/16-18x1/4" Ball Bearing 3/16" Handle Crank

		Door latch
<b>31</b>	<b>96-58621</b>	<b>Ash Latch Assembly</b>
		Includes:
		Set Screw 5/16-18x1/4"
		Use P/N 5010-055
		Handle Crank
35	5600-029J	Glass Retention Clip 3.5"
35L	5600-029K	Glass Retention Clip 9.9"
36	2610-017	Ash Grate Frame
37	2610-018	Ash Grate Top
60	6500-024	Ash Pan
62	5600-032A	Primary Air Manifold
63	5600-034A	Secondary Air Pipe (Front & Rear)
63A	5600-034B	Secondary Air Pipe (Center)
64	5600-035B	Secondary Air Tube Riser
65	5600-036	Rear Baffle Support
66	5600-038	Primary Air Control Slide
67	5600-039	Primary Air Control Rod
<b>70</b>	<b>96-58652</b>	<b>Hinge Assembly</b>
		Includes:
		Phoenix Door Hinge
		(2) 1/4-20 Lock Nut
		(2) 1/4" Washer -Black
	<b>96-58601</b>	<b>Phoenix Gasket Kit</b>
		Includes:
		(2 3/4')Gasket: Rope 1/4" Black Adhesive Backed
		(4 1/2')Gasket Rope 3/8" Adhesive Backed
		(4 1/3') Gasket Tape 3/4" Adhesive Backed
		Gasket Glue